

# AquaLIGHT 312 C

Dazzling Water Displays with Vibrant Colors.



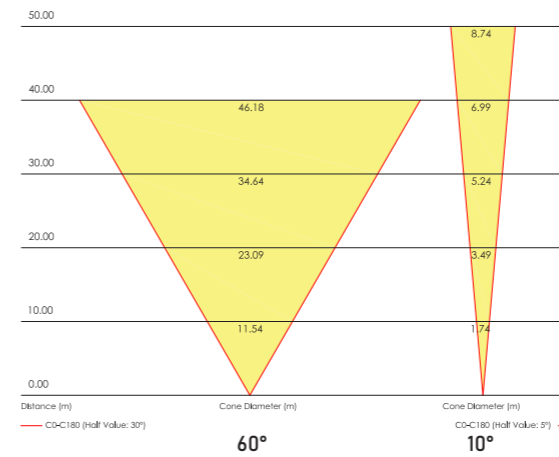
Our well-proven lights are equipped with energy-efficient LED plates that produce effective illumination. These types of lights are designed with extra high-grade strength for use in public installations. In underwater settings, they impressively enhance fountains and water features. In addition, these vibrant colors show their full potential when combined with the AquaVARIO and AquaSWITCH systems. They create an efficient composition in open space fountains.

- ✓ Edison PowerLED
- ✓ Driver circuit onboard
- ✓ Aluminium PCB
- ✓ IP68
- ✓ Robust stainless steel
- ✓ Tempered glass
- ✓ DMX + RDM controlled
- ✓ Synchronorm Depence Library available



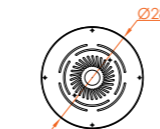
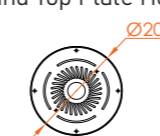
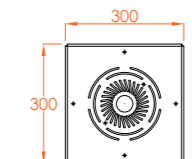
# AquaLIGHT 312 C

## Lighting Angle:

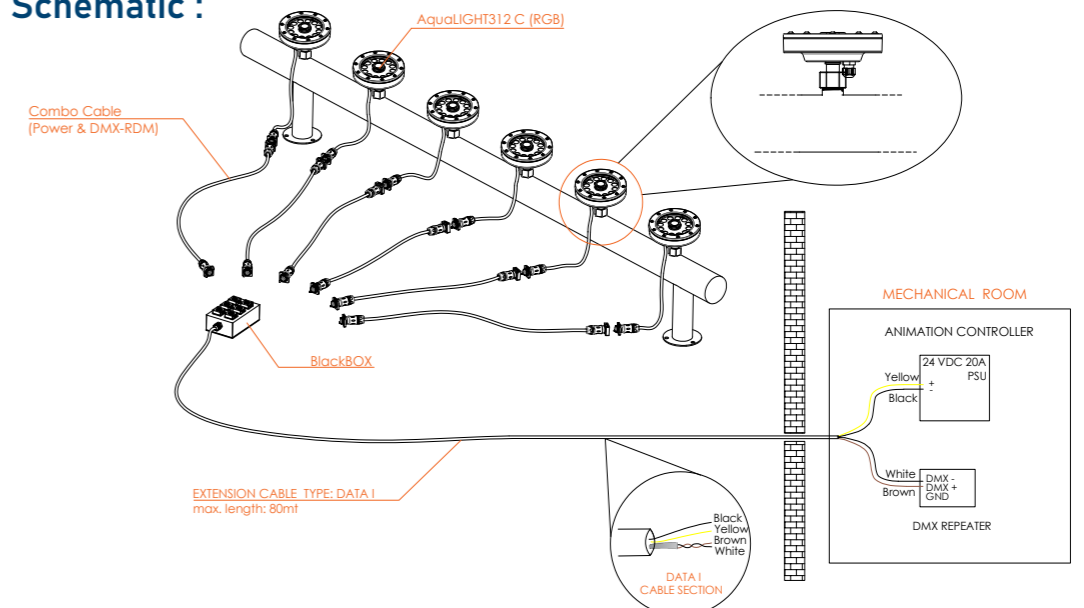


! In lighting, choosing the lens angle is as important as selecting the color or wattage. Small angles retain brightness at long distances, while wide angles cover larger areas but lose brightness over distance.

## DryDECK Options :

- ! Top Plate Round Ø 280 with AquaLIGHT 312 C and Top Plate Holder. 
- ! Top Plate Round Ø 200 with AquaLIGHT 312 C. 
- ! Top Plate Premium 30x30 with AquaLIGHT 312 C and Top Plate Holder. 

## Connection Schematic :



## TECHNICAL DETAILS

MODEL :	AquaLIGHT 312 C
DIMENSION (ØxH) :	160 x 70 mm
VOLTAGE :	24 VDC
POWER :	33 W
CURRENT :	1.4 A
COLORS :	RGB
POWER & DMX :	Combo Cable
LUMINOUS FLUX RGB FULL :	2050 lm
WEIGHT :	0.8 kg
PRODUCT NO :	3027

## ACCESSORIES

PRODUCT	ORDER NO
BlackBox :	5022
Combo Cable :	page
ByPass Terminal :	page
Comet Nozzle :	page

AquaLIGHT 312 C has a combo cable to connect with the BlackBOX. Additionally, this BlackBOX is connected with an extension cable with a maximum length of 80 meters. After all of this, the overall system is connected with the animation controller in the mechanical room.